



BAD RIVER BOATS

PREMIUM ALUMINUM BOATS



WEBSITE

www.badriverboats.ca



CONTACT US

705.698.6054

**SCAN
ME!**



BAD RIVER BOATS
PREMIUM ALUMINUM BOATS



**DON'T JUST FOLLOW THE STREAM,
CHOOSE YOUR OWN WAY
WITH A **BRB**
HANDCRAFTED ALUMINUM BOAT**

SUDBURY BASED BOAT MANUFACTURER



WEBSITE

www.badriverboats.ca



CONTACT US

705.698.6054



BAD RIVER BOATS

PREMIUM ALUMINUM BOATS



We build custom high-quality aluminum workboats for **construction, ministry,** and **commercial** applications including policing, patrol, fire, dive, research, oil spill response, water taxis, fishing, **pleasure craft,** and **much more!**



WEBSITE

www.badriverboats.ca



CONTACT US

705.698.6054



At BadRiverBoats, we provide you with a reliable and enjoyable boating experience. Our **Limited Lifetime Warranty** against manufacturer defects demonstrates our commitment to **quality craftsmanship and customer satisfaction**. Trust in our products, and embark on your adventures with confidence, knowing that our comprehensive warranty **protects your investment**.



**Learn About Our
Sales Program**



TILLER



Model: 18' MEGA DEEP & WIDE HAND BUILT QUALITY BOAT

DRIVE STYLE

TILLER
SIDE CONSOLE
CENTRE CONSOLE
SPLIT WINDSHIELD

SEATING

BOX SEATING, BATTERY,
FUEL AND 2 STORAGE
SWIVEL PEDESTALS
BENCH

LENGTH	18.6' / 5.67 M
WIDTH	89" / 226 CM
SIDEWALL	36" / 92 CM
GUNNELS	10" / 25 CM
TRANSOM HEIGHT	20" / 51 CM OR 25" / 63.5 CM
DRY WEIGHT	2200 LBS / 998 KG
FLOOR, GUNNEL MATERIAL	3/16 5 BAR CHECKER PLATE ALUMINUM
HP RATED	75 HP
# OF PASSENGERS	5
WEIGHT CAP	825 LBS / 375 KG
WEIGHT CAP WITH CARGO	1325 LBS / 601 KG
HULL THICKNESS	3/16"
HULL MATERIAL	ALUMINUM-5083

SPECIFICATIONS

TILLER



Model: 19' MEGA DEEP & WIDE HAND BUILT QUALITY BOAT

DRIVE STYLE

TILLER
SIDE CONSOLE
CENTRE CONSOLE
SPLIT WINDSHIELD

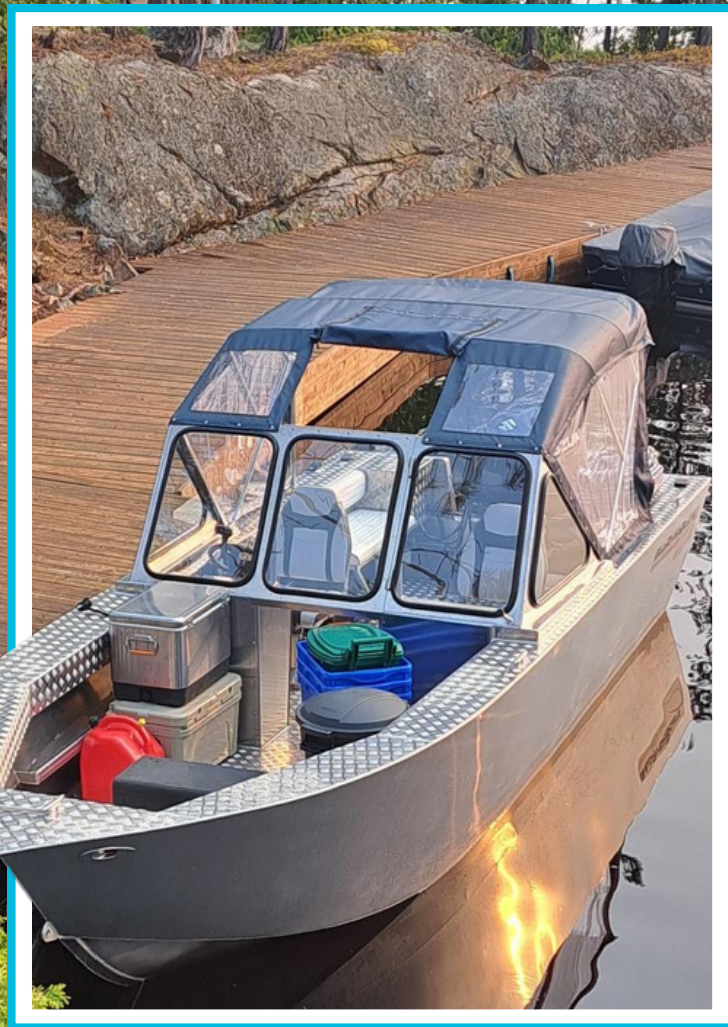
SEATING

BOX SEATING, 4 BOXES,
BATTERY, FUEL AND STORAGE
SWIVEL PEDESTALS
BENCH

LENGTH	19.6' / 5.97 M
WIDTH	89" / 226 CM
SIDEWALL	36" / 92 CM
GUNNELS	10" / 25 CM
TRANSOM HEIGHT	20" / 51 CM OR 25" / 63.5 CM
DRY WEIGHT	2325 LBS / 1054.6 KG
FLOOR, GUNNEL MATERIAL	3/16 5 BAR CHECKER PLATE ALUMINUM
HP RATED	90 HP
# OF PASSENGERS	6
WEIGHT CAP	900 LBS / 408 KG
WEIGHT CAP WITH CARGO	1325 LBS / 601 KG
HULL THICKNESS	3/16"
HULL MATERIAL	ALUMINUM-5083

SPECIFICATIONS

COTTAGER



SPECIFICATIONS

Model: 18' DUAL CONSOLE COTTAGER

DRIVE STYLE

TILLER

SIDE CONSOLE

CENTRE CONSOLE

SPLIT WINDSHIELD

SEATING

BOX SEATING, 4 BOXES,

BATTERY, FUEL AND 2 STORAGE

SWIVEL PEDESTALS

BENCH

LENGTH	18.6' / 5.67 M
WIDTH	89" / 226 CM
SIDEWALL	36" / 92 CM
GUNNELS	10" / 25 CM
TRANSOM HEIGHT	25" / 63.5 CM
DRY WEIGHT	2400 LBS / 1088.6 KG
FLOOR, GUNNEL MATERIAL	3/16 5 BAR CHECKER PLATE ALUMINUM
HP RATED	115 HP
# OF PASSENGERS	5
WEIGHT CAP	825 LBS / 375 KG
WEIGHT CAP WITH CARGO	1325 LBS / 601 KG
HULL THICKNESS	3/16"
HULL MATERIAL	ALUMINUM-5083

COTTAGER



SPECIFICATIONS

Model: 19' DUAL CONSOLE COTTAGER

DRIVE STYLE

TILLER
SIDE CONSOLE
CENTRE CONSOLE
SPLIT WINDSHIELD

SEATING

BOX SEATING, 4 BOXES,
BATTERY, FUEL AND STORAGE
SWIVEL PEDESTALS
BENCH

LENGTH	19.6' / 5.97 M
WIDTH	89" / 226 CM
SIDEWALL	36" / 92 CM
GUNNELS	10" / 25 CM
TRANSOM HEIGHT	25" / 63.5 CM
DRY WEIGHT	2525 LBS / 1145.3 KG
FLOOR, GUNNEL MATERIAL	3/16 5 BAR CHECKER PLATE ALUMINUM
HP RATED	150 HP
# OF PASSENGERS	6
WEIGHT CAP	900 LBS / 408 KG
WEIGHT CAP WITH CARGO	1325 LBS / 601 KG
HULL THICKNESS	3/16"
HULL MATERIAL	ALUMINUM-5083

LANDING CRAFT



SPECIFICATIONS

Model: 20' LANDING CRAFT

DRIVE STYLE

CENTRE CONSOLE

SPLIT WINDSHIELD

SEATING

BATTERY, FUEL AND 2 STORAGE

BOX SEATING WITH SWIVEL

PEDESTALS

BENCH

LENGTH	20'/6.1 M
WIDTH	101"/ 256.54 CM
FREE BOARD	36"/ 92 CM
GUNNELS	9"/ 22.86 CM
TRANSOM HEIGHT	25"/ 63.5 CM
DRY WEIGHT	2800 LBS/ 1270 KG
GATE OPENING	78"/ 198.12 CM
HP RATED	200 HP
# OF PASSENGERS	7
FUEL CAP	43 GAL/ 162.77 L
WEIGHT CAP WITH CARGO	1325 LBS/601 KG
HULL THICKNESS	0.25"
HULL MATERIAL	ALUMINUM-5083

LANDING CRAFT



Model: 22' LANDING CRAFT

DRIVE STYLE

CENTRE CONSOLE

SPLIT WINDSHIELD

SEATING

BATTERY, FUEL AND 2 STORAGE

BOX SEATING WITH SWIVEL

PEDESTALS

BENCH

LENGTH	22'/ 6.7 M
WIDTH	101"/ 256.54 CM
FREE BOARD	36"/ 92 CM
GUNNELS	9"/ 22.86 CM
TRANSOM HEIGHT	25"/ 63.5 CM
DRY WEIGHT	3150 LBS/ 1428.8 KG
GATE OPENING	78"/ 198.12 CM
HP RATED	250 HP
# OF PASSENGERS	8
FUEL CAP	43 GAL/ 162.77 L
HULL THICKNESS	0.25"
HULL MATERIAL	ALUMINUM-5083

SPECIFICATIONS

LANDING CRAFT

Model: 24' LANDING CRAFT

DRIVE STYLE

CENTRE CONSOLE

SPLIT WINDSHIELD

SEATING

BATTERY, FUEL AND 2 STORAGE

BOX SEATING WITH SWIVEL

PEDESTALS

BENCH

LENGTH

24'/ 7.3 M

WIDTH

101"/ 256.54 CM

FREE BOARD

36"/ 92 CM

GUNNELS

9"/ 22.86 CM

TRANSOM HEIGHT

25"/ 63.5 CM

DRY WEIGHT

3450 LBS/ 1565 KG

GATE OPENING

78"/ 198.12 CM

HP RATED

300 HP

OF PASSENGERS

10

FUEL CAP

75 GAL/ 283.9 L

HULL THICKNESS

0.25"

HULL MATERIAL

ALUMINUM-5083



SPECIFICATIONS



OUR BOATS

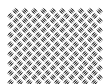
SPECIAL FEATURES



HAND-
WELDED



LIFETIME
WARRANTY



ALUMINUM-
5083



CUSTOM BOAT
MANUFACTURER



CONSTANT
IMPROVEMENT



SELF-
BAILING
FLOOR



OUTBOARD
APPLICATION



SEALED HULL



WEBSITE
www.badriverboats.ca



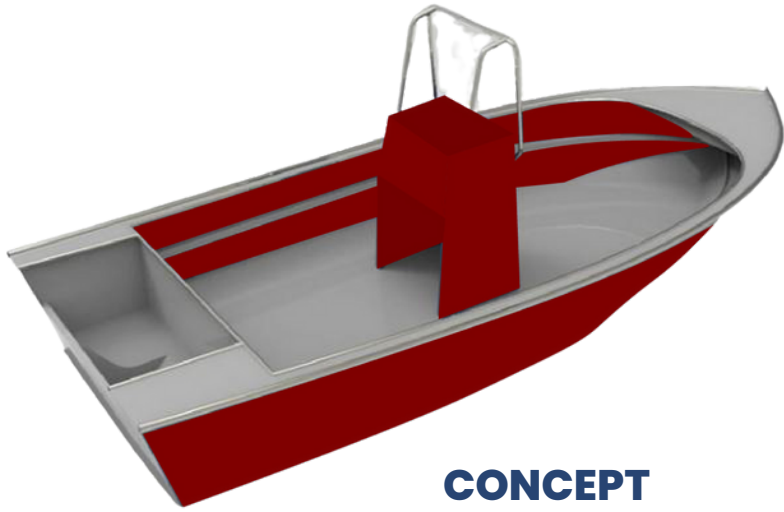
CONTACT US
705.698.6054

SCAN
ME!





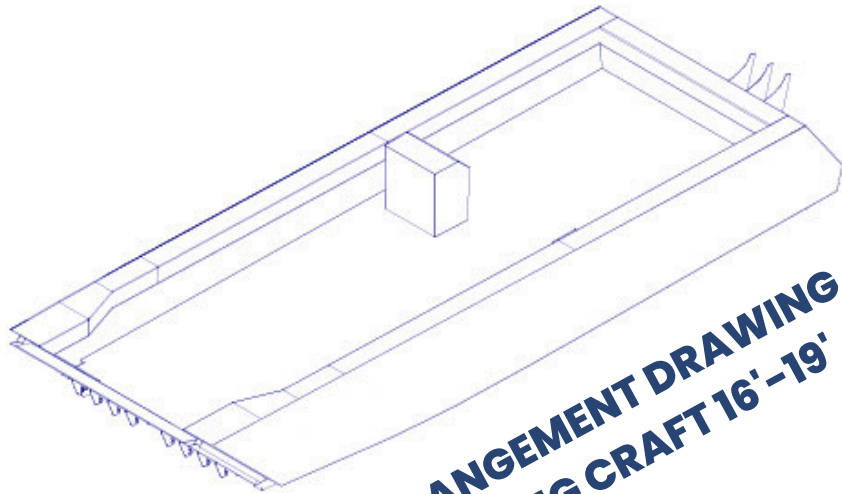




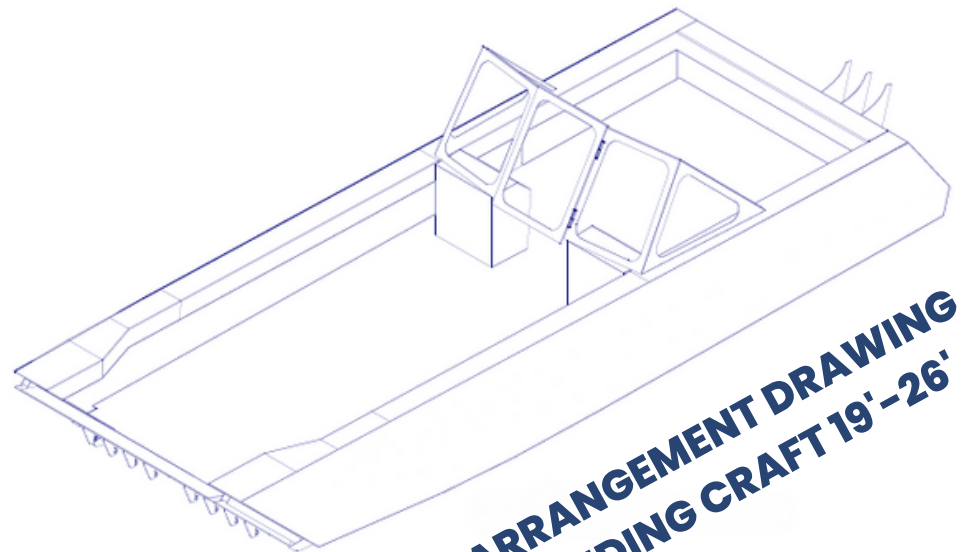
CONCEPT



CONCEPT



**ARRANGEMENT DRAWING
LANDING CRAFT 16'-19'**



**ARRANGEMENT DRAWING
LANDING CRAFT 19'-26'**

CUSTOMIZE YOUR OWN BOAT!



WEBSITE
www.badriverboats.ca



CONTACT US
705.698.6054

BRB
PREMIUM ALUMINUM BOATS

BAD RIVER BOATS

PREMIUM ALUMINUM BOATS



CONNECT WITH US!



CALL US
705.698.6054



EMAIL US
SALES@BADRIVERBOATS.CA



BAD RIVER BOATS

PREMIUM ALUMINUM BOATS



WEBSITE

www.badriverboats.ca



CONTACT US

705.698.6054

**SCAN
ME!**

